



**Features:**

- Available for all Sensormate sensors (2/4 bridges)
- Direct display of the measured values in  $\mu\text{N}$ , kN or t (via our Inspectmate software)
- High accuracy and stable reset
- Robust aluminium housing (IP50)
- USB connection for tie bar adjustment software and power supply

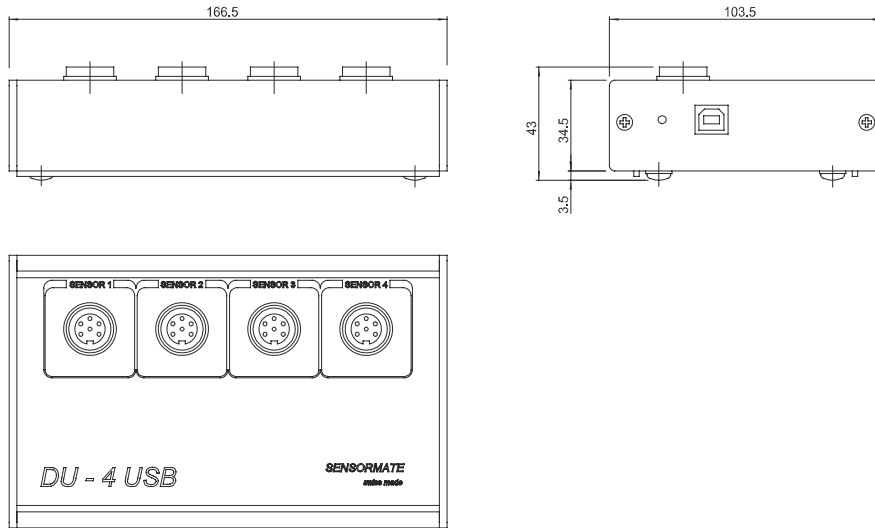
The DU-4USB Monitor is an industrial signal amplifier and monitor for strain gauges and strain sensors. It is connected to the PC via the USB port. The measured values are displayed directly on the PC screen using by the „Inspectmate“ software. Force measurement on tie bars displays in kN or tons and diameter input. Strain measurement displays in  $\mu\epsilon$  (micro strain). Direct switch units and change parameters. The handling is very user-friendly, the robust aluminium housing ideal for harsh environments. The 4-channel DU-4USB digital monitor box can only be operated in conjunction with a PC.

Application: The device DU-4USB is used in conjunction with tie bar strain-sensors of the Sensormate AG for the control of the clamping force on presses, injection-moulding and die-casting machines.

**TECHNICAL DATA**

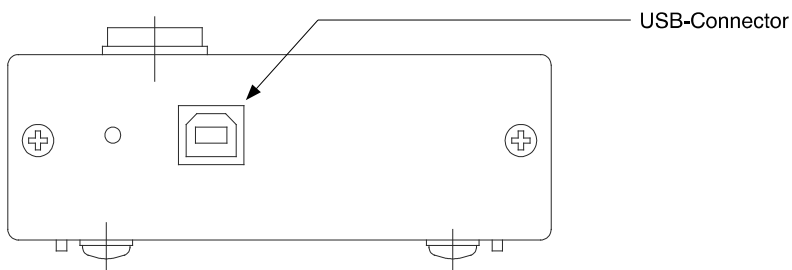
Input Bridge resistance	120...1000 $\Omega$
Signal input range (FS)	0,1...1mV/V
Resolution ADC	16-Bit
Sampling rate	60Hz
Output rate	5Hz
Display refresh	100Hz
Output signal	USB -> Inspectmate
Noise	$\leq$ 1 digit
Accuracy	$\leq \pm$ 0,5% FS
Accuracy of zero point	$\leq$ 1 digit
Linearity	$\leq \pm$ 0,5% FS
Reset time	> 200ms
Supply voltage	USB, 5VDC
Supply current	< 100mA
Inverse polarity protection	Yes
Accidental short-circuit protection	Yes
Operating temperatur range	+10...+40°C
Storage temperatur range	-40...+80°C
Temperature coefficient at 10°C	< 0,1 (0,05 typical)
Protection class	IP50
EMC	2014/30/EU
Case material	Aluminium
Weight	450g

## DIMENSIONS

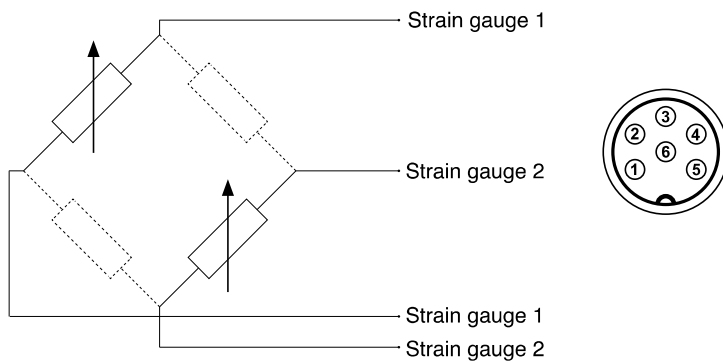


Dimensions in mm

## ELECTRICAL CONNECTION



### 2/4 Brückensensor



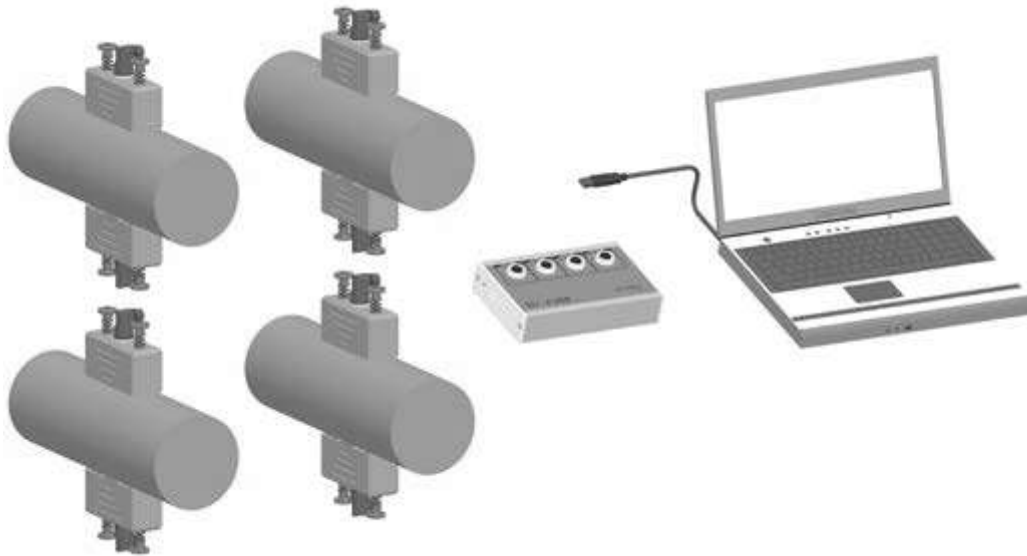
Connector PIN	Function
1	Strain gauge 1
2	Strain gauge 1
3	n.c.
4	Strain gauge 2
5	Strain gauge 2
6	n.c.

## ORDER CODE

4- Channel digital monitor-box

DU-4U -   - 000

Calibration for:	
3 m cable length	03
5 m cable length	05
10 m cable length	10



Example: DU-4USB - 05

4- Channel digital monitor-box, calibrated for 5m cable length

**GEFRAN spa** reserves the right to make any kind of design or functional modification at any moment without prior notice.



**GEFRAN**

**Sensormate AG**

Steigweg 8, - CH-8355 Aadorf, Switzerland  
ph: +41(0)52-2421818 - fax: +41(0)52-3661884  
Internet: <http://www.sensormate.ch>

**GEFRAN spa**

via Sebina, 74 - 25050 PROVAGLIO D'ISEO (BS) - ITALY  
ph. +39 030 9888.1 - fax. +39 030 9839063  
Internet: <http://www.gefran.com>