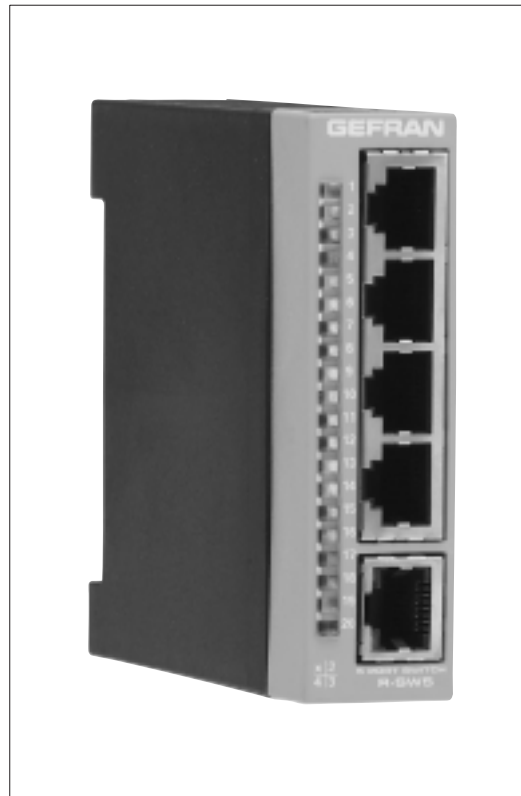


## R-SW5

### 5 PORTS SWITCH ETHERNET MODULE



#### Main applications

- Tree connection of multiple GILOGIK II systems

#### Main features

- 5 RJ45 Ethernet ports
- Autosense
- Up-link port
- 10/100Mbps
- In Conformity with UL508

#### PROFILE

R-SW5 is a switch module with 4+1 Fast Ethernet ports (100 Mbps) that lets you expand GDnet for tree-type connection of multiple GILOGIK II systems.

It installs on series R\_BUS(x) backplanes, from which it receives power (signal LED).

It is equipped with "autosense" ports that automatically switch to the correct transmission speed and can manage both pin-to-pin and crossover cables.

Each communication port has an RJ45 connector and two signal LEDs (link and data) for correct diagnostics.

#### TECHNICAL DATA

##### Power supply

- via backplane 3.3V

##### Ethernet

- priority slots
- 10/100 baseTx connection
- Store & Forward
- Standard IEEE 802.3
- Autosense

##### Diagnostics

- POWER led: power on
- LINK led: network connected
- ACTIVITY led: data transfer

#### MECHANICAL DATA

Dimensions: 92x90x25,4mm

Weight: 150g.

Attachment: mechanically snaps onto R-BUS(x)

Protection level: IP20

#### AMBIENT CONDITIONS

**Working Temperature:** 0...50°C

**Storage Temperature:** -20...70°C

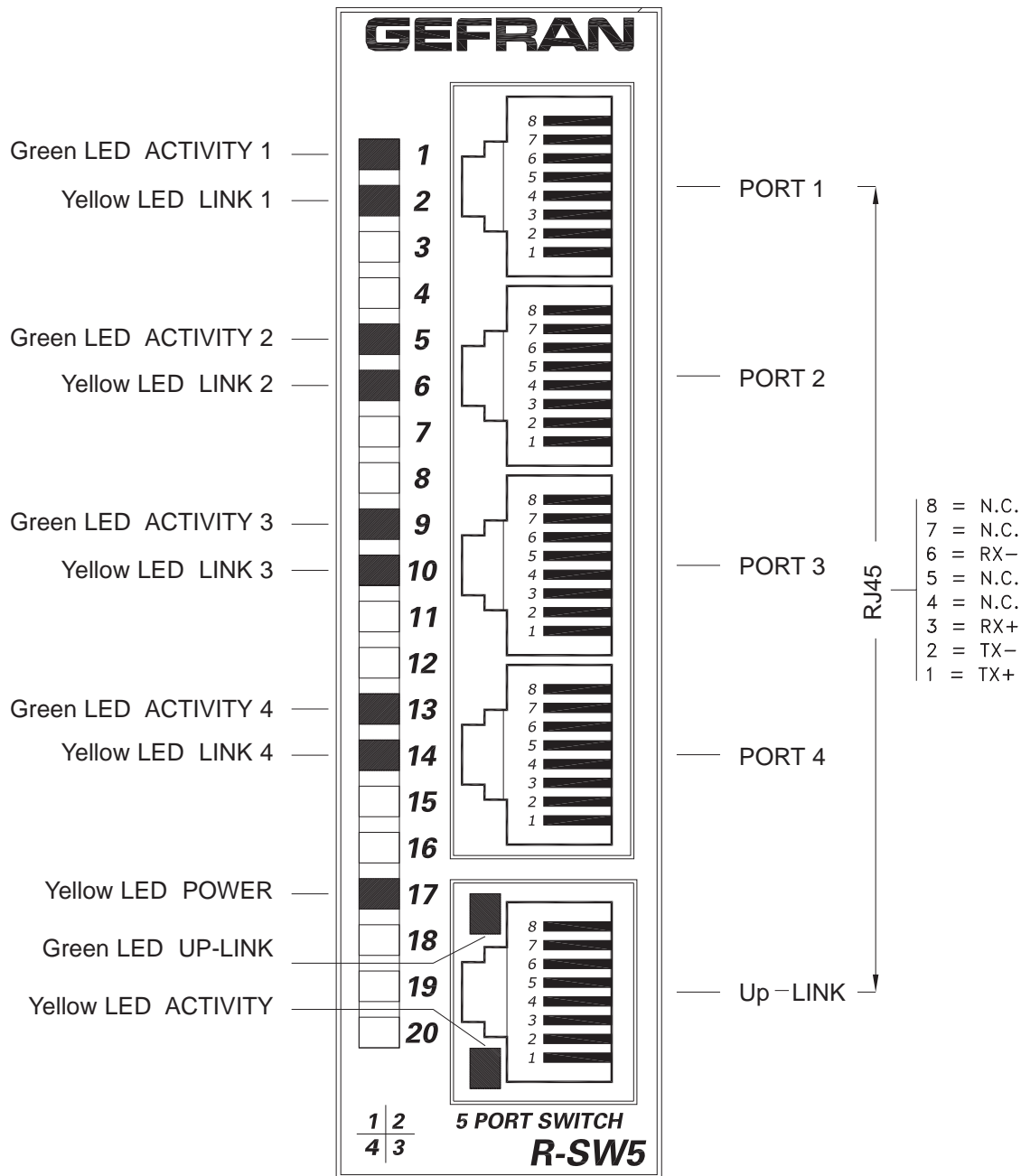
**Humidity:** max. 90% Rh not condensing

## INSTALLATION AND CONNECTIONS

The module must be installed on R-BUS(x) in the first position on the left.

The module's front connections provide:

5 connections for Ethernet: standard with RJ45 8-wire connector, use standard category 6 cable subject to TIA/EIA-568A (see appendix B).



## ORDER CODE

MODULE CODE

**R-SW5**

**F027062**

Code

GEFRAN spa reserves the right to make aesthetic or functional changes at any time and without notice



Conformity UL508 File no. E198546



The instrument conforms to the European Directives 2004/108/CE and 2006/95/CE with reference to the generic standards:  
- EN 61000-6-2 (immunity in industrial environments) - EN 61000-6-3 (emission in residential environments) - EN 61010-1 (safety)  
- EN 61161-2 (product standard). The Declaration of conformity is available on GEFRAN web: [www.gefran.com](http://www.gefran.com)

**GEFRAN**

GEFRAN spa via Sebina, 74 - 25050 Provaglio d'Iseo (BS)  
Tel. 03098881 - fax 0309839063 - Internet: <http://www.gefran.com>

DTS\_R-SW5\_0809\_ENG