



#### Main characteristics

- Optimized mechanical structure
- Strokes from 50 to 2500 mm
- Wide range of connectors for the electrical connection
- Rod, nipple, exagonal flange AISI 316
- Power supply 10...32 Vdc
- Resistance to vibration (DIN IEC68T2/6 12g)
- Protection IP67
- Work temperature: -30°...+90°C
- Synchronous Serial Interface direct to controllers
- Output data resolution available from 20 to 40µm
- Data format: binary or Gray code; incremental/decremental
- Electromagnetic compatibility EMC 2014/30/EU
- Compliant to the directive RoHS 2011/65/EU

Contactless linear position transducer with HYPERWAVE magnetostrictive technology with RS422-SSI digital output interface. Housing closure with removable ring nut to allow the whole electronics and sensing element replacement. The absence of electrical contact on the cursor eliminates all wear and guarantees almost unlimited life.

High accuracy of the measurement with reference to the non linearity, repeatability and hysteresis. High resistance to vibrations, mechanical shocks for use in a harsh industrial environment.

#### TECHNICAL DATA

Model	from 50 to 2500 mm
Measurement taken	Displacement
Position read sampling time (typical)	1 ms
Shock test DIN IEC68T2-27	100g - 11ms - single shock
Vibrations DIN IEC68T2-6	12g / 10...2000Hz
Displacement speed	≤ 10 m/s
Max acceleration	≤ 100 m/s <sup>2</sup> displacement
Output data resolution available	20, 40µm
Cursor (see note)	Floating magnet
Working temperature	-30...+90°C
Storage temperature	-40...+100°C
Coefficient of temperature	20ppm F.S./°C
Protection	IP67
Operative pressure	350 bar (pic max. 500 bar)

#### ELECTRICAL DATA

Output signal	Synchronous Serial (SSI); Binary/Gray; Incremental/Decremental
Data length	24 - 25 bit
Nominal power supply	10... 32 Vdc
Max. power ripple	1Vpp
Max. input	50mA
Output load	RS422/485 standard
Electrical isolation	500 V (*) (D.C. supply / earth)
Protection against polarity inversion	Yes
Protection against overvoltage	Yes
Self-resetting internal fuse	Yes
(*) it includes a 50V 2J voltage suppressor	

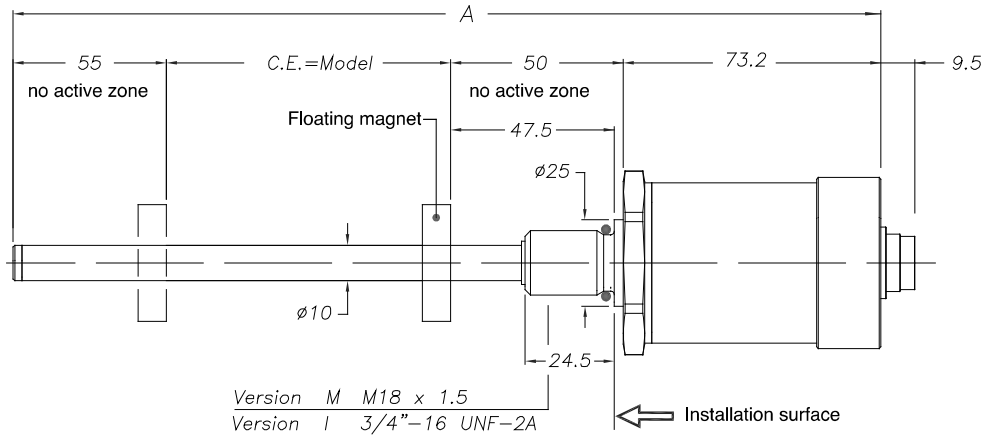
Note: For multi-cursor versions, the cursors have to work under the same distance and temperature conditions

#### ELECTRICAL / MECHANICAL DATA

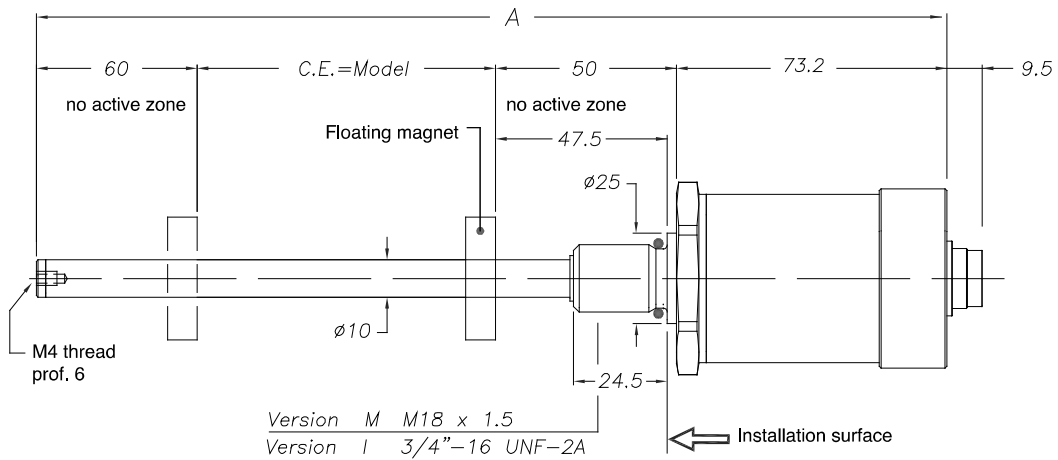
Model	Stroke (mm)																													
	50	75	100	130	150	175	200	225	250	300	350	360	400	450	500	550	600	650	700	750	800	850	900	950	1000	1100	1200	1250	1300	1400
Electrical stroke (E.S)	mm	Model																												
Independent linearity	± %F.S.	≤ ± 0,02 %FS (min ± 0,060mm)																												
Max. dimensions (A)	mm	< 1250 mm = Model + 178.2mm ; ≥ 1250mm = Model +183.2mm																												
Repeatability	mm	< 0,01 (limited by the resolution of the output value)																												
Hysteresis		< ± 0,005% FS (min 0,010 mm)																												
Sampling time	ms	1 (for stroke from 1000) 2 (for stroke from 1100 to 2000) 4 (for stroke >2000)																												

## MECHANICAL DIMENSIONS

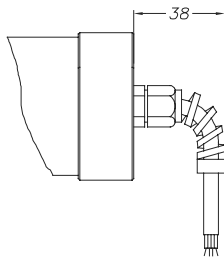
Strokes from 50 to 1000 mm



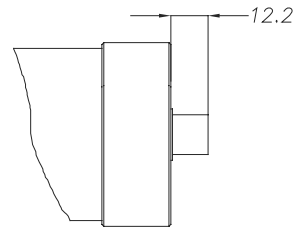
Strokes from 1100 to 2500 mm



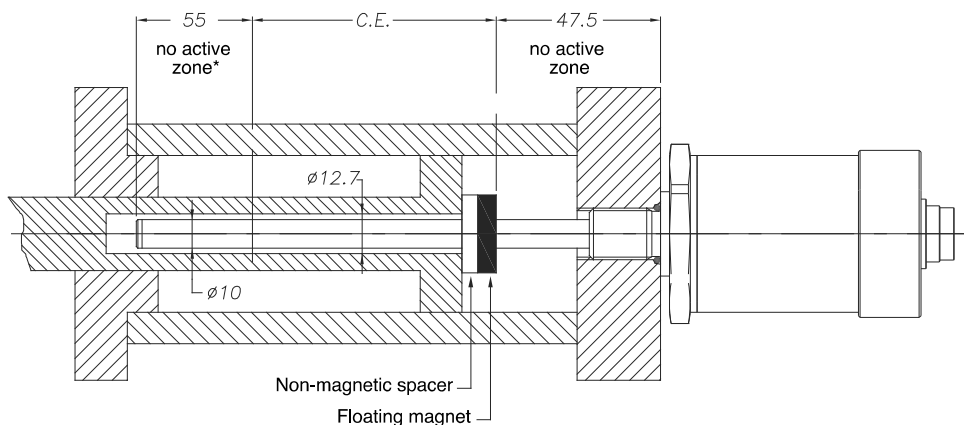
WRP-S-F/R cable output



WRP-S-B/D connector output

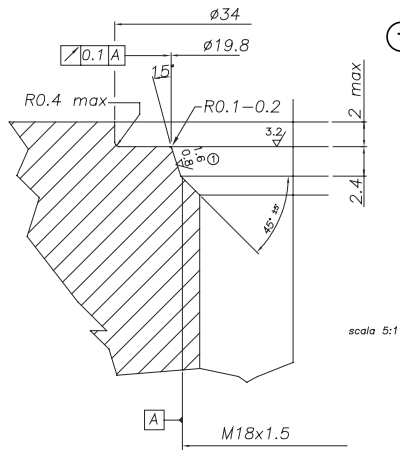


## MOUNTING INSIDE A CYLINDER



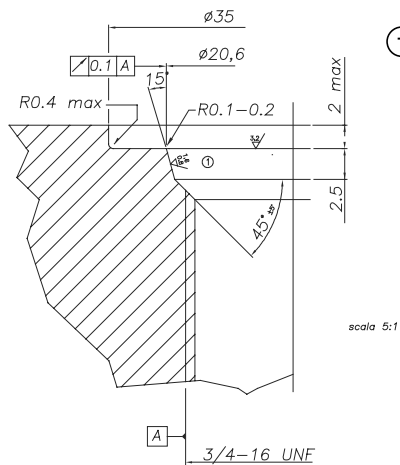
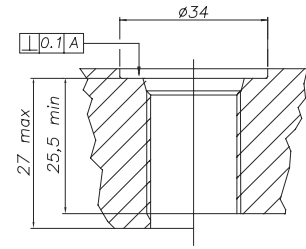
\* for stroke up to 1000 mm (included) – over 1000 mm, the non-active zone becomes 60 mm because the tip includes a M4 threaded hole

## INSTALLATION INSIDE A CYLINDER



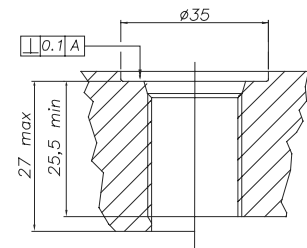
- ① **THREAD M18x1,5**  
The sealing surface must be free from scratches longitudinal or spiral  
Ro 1.6  $\mu\text{m}$  for sealing with NON-pulsating pressure  
Ro 0.8  $\mu\text{m}$  for seals with pulsating pressure

**Suggested o-ring:**  
PARKER 6-349 15,4x2,1  
Material: Viton 90° Shore-A  
Mixes: PARKER N552-90



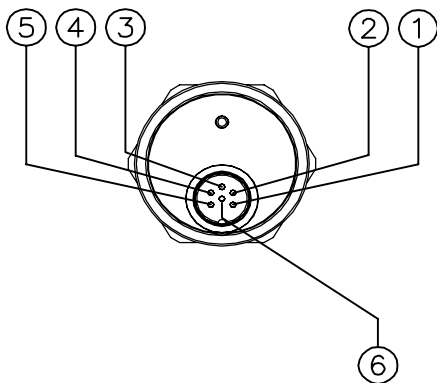
- ① **THREAD 3/4"-16UNF**  
The sealing surface must be free from scratches longitudinal or spiral  
Ro 1.6  $\mu\text{m}$  for sealing with NON-pulsating pressure  
Ro 0.8  $\mu\text{m}$  for seals with pulsating pressure

**Suggested o-ring:**  
PARKER 3-908 16,36x2,21  
Material: Viton 90° Shore-A  
Mixes: PARKER N552-90

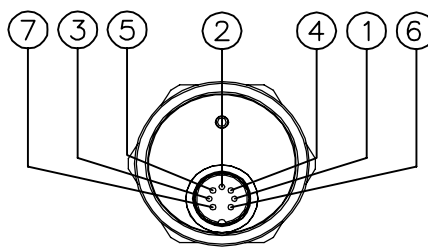


## ELECTRICAL CONNECTIONS

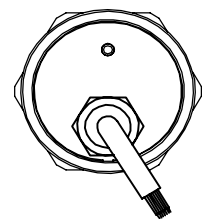
OUTPUT WRP-S-B



OUTPUT WRP-S-D

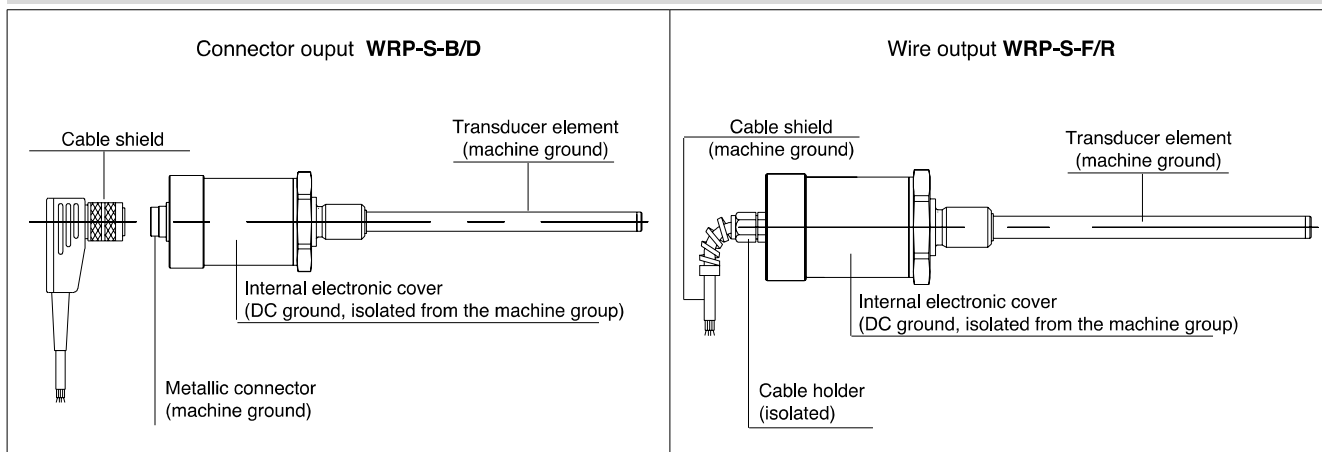


OUTPUT WRP-S-F/R



Function	WRP-S-B	WRP-S-D	WRP-S-F	WRP-S-R
	6-pin M16	7-pin M16	Cable output	PUR cable output
Data -	1	1	Orange	Pink
Data +	2	2	Orange / White	Blue
Clock +	3	3	Green / White	Gray
Clock -	4	4	Green	Yellow
Power supply +	5	5	Blue / White	Green
Power supply GND	6	6	Blue	Brown
n.c.	-	7	-	-
n.c.	-	-	-	-

## GROUNDING WRP-S



## ORDER CODE

**Position transducer** W R P S [ ] [ ] [ ] [ ] [ ] [ ]

SSI digital output	S
--------------------	---

Connector	
DIN45322 6-pin connector output	B
DIN45322 7-pin connector output	D
<i>Available on request</i>	
Cable output PVC	F
Cable output PUR high flexibility	R

Model	

Output	
Binary data code output	B
Gray data code output	G

Data length	
Data length 24 bit	3
Data length 25 bit	4
Data length 21+1 bit (FM357)	5

0 0 0 0 [ ] [ ] X X X [ ] [ ] [ ] 0 X X

Data resolution	
0.020 mm	3
0.040 mm	4

Thread	
M18x1,5 (standard)	M
3/4" 16UNF	I

Scale orientation	
Ascending (standard)	1
Descending	2
Ascending (over sampling refresh output 4 KHz)	4

Outputs	
Output B	00
F/R outputs cables length	
1 mt (standard)	00
2 mt	02
3 mt	03
4 mt	04
5 mt	05
10 mt	10
15 mt	15

Mechanical and/or electrical characteristics differing from those in the standard version may be arranged on request

- ▶ **Included in the supply**
  - Series WR position transducer
  - OR 15.4x2.1 thread M18x1.5 code: **GUA064**
  - OR 16.36x2.21 thread 3/4" - 16 UNF code: **GUA065**
- ▶ **Magnetic cursors must be ordered separately**

**Ex.: WRP-S-B-0400-B-3 000011XXX00M0XX**  
 Transducer model WRP, SSI output, connector B, model 400mm, thread M18x1,5, binary data code output, data length 24 bit, system resolution 0.005mm, scale orientation ascending.

## FLOATING CURSOR



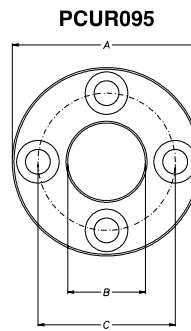
Cursors	
Cursor Diameter 32.8	<b>095</b>
Cursor Diameter 32.8 with 90° slit	<b>096</b>
Cursor Diameter 25.4	<b>097</b>
Floating cursor for liquids with hole diameter 12	<b>098</b>

The **PCUR095** is supplied with:  
 N° 8 Brass nuts M4  
 N° 8 Brass washers D4  
 N° 4 Brass screws M4x25

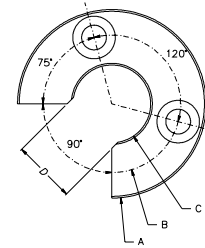
The **PCUR096** is supplied with:  
 N° 4 Brass nuts M4  
 N° 4 Brass washers D4  
 N° 2 Brass screws M4x25

Dimensions	A	B	C	D	Thickness
PCUR095	32.8	13.5	23.9	-	7.9
PCUR096				11	
PCUR097	25.4	13.5		-	

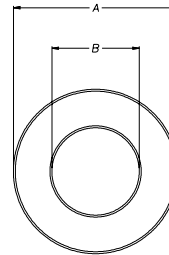
Model	PCUR098	
Length A	mm	52.4
Diameter B (hole)	mm	12
Diameter C	mm	44
Material	AISI 316	



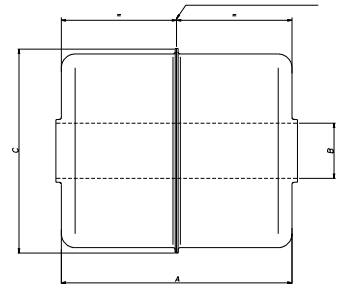
**PCUR096**



**PCUR097**



**HEIGHT DETECTION POSITION**



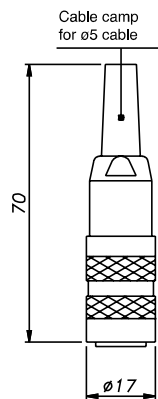
**Note:** PCUR098 is supplied with kit PKIT036 for floating cursor for liquids.

## OPTIONAL CONNECTORS

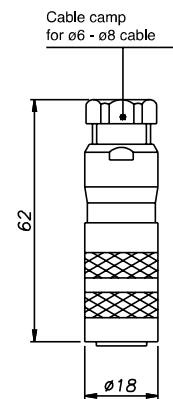
For outputs **B-D** M16 connector thread

Codes: **CON021** 6-pin (WRP-S-B)  
**CON022** 6-pin (WRP-S-B)  
**CON023** 6-pin (WRP-S-B)  
**CON026** 7-pin (WRP-S-D)  
**CON027** 7-pin (WRP-S-D)  
**CON028** 7-pin (WRP-S-D)

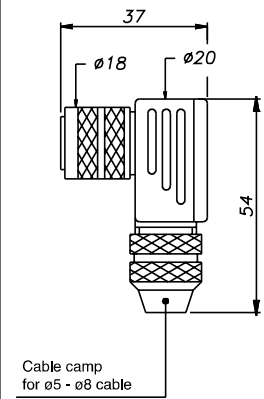
Connector extraction length: 10mm



**CON021**  
**CON026**  
 IP40 - EMC



**CON022**  
**CON027**  
 IP67 - EMC



**CON023**  
**CON028**  
 IP67 - EMC

Note:

The IP rating specified in this document normally applies with the suitable female connector plugged-in and properly wired.

Electrical installation requirements and Conformity certificate are available on our web site: [www.gefran.com](http://www.gefran.com)

**GEFRAN spa** reserves the right to make aesthetic or functional changes at any time and without notice

**GEFRAN**

**GEFRAN spa**  
 via Sebina, 74  
 25050 PROVAGLIO D'ISEO (BS) - ITALIA  
 ph. 0309888.1 - fax. 0309839063  
<http://www.gefran.com>

DTS\_WRP-S\_11-2020\_ENG